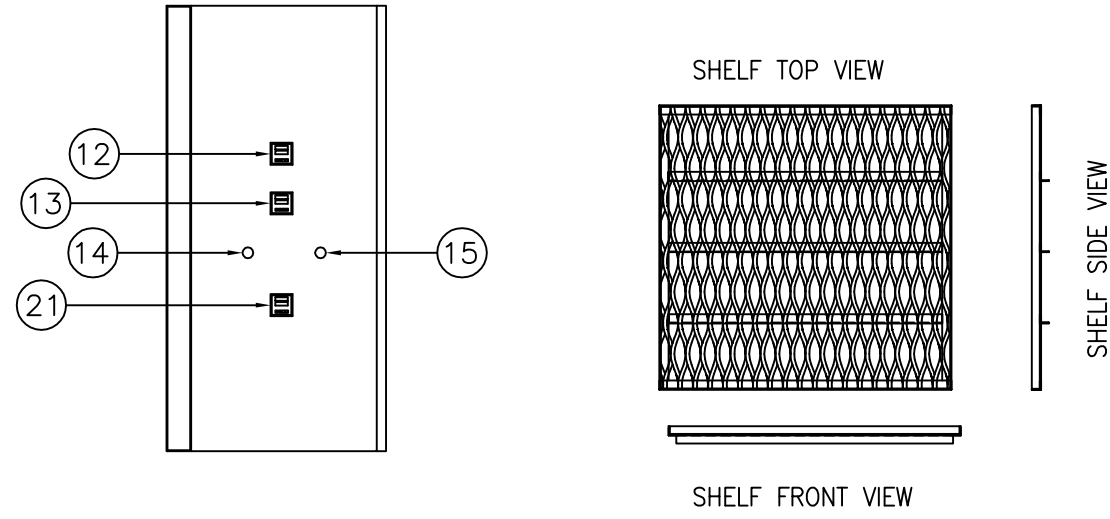
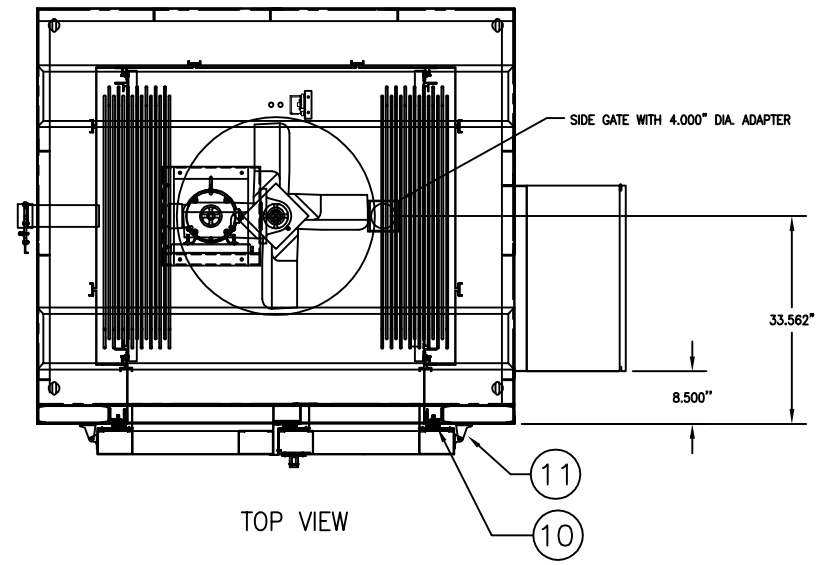


ITEM	QTY	DESCRIPTION
1	2	HANDLE - 8" PULL
2	1	CONTROL BOX
3	2	#3 BRIXON FM APPROVED LATCHES
4	1	30" STAINLESS STEEL CIRCULATION FAN
5	1	CIRCULATION MOTOR - 5 HP 1750 RPM EM3615T BALDOR
6	30	2500 WATT HEATERS
7	1	4.000" NATURAL EXHAUST W/ SLIDE GATE
8	1	4.000" INTAKE W/ SLIDE GATE
9	N/A	INSULATION -2" OF HIGH TEMP CERAMIC BLANKET, 7.5" 8LB MINERAL WOOL
10	45.0'	HIGH TEMP GASKET CERAMIC FIBER CLOTH WITH S/ S MESH CORE
11	4	HEAVY DUTY KASON 998 STRAP FLANGE HINGES
12	1	YOKOGAWA UT-150 TEMPERATURE CONTROLLER
13	1	YOKOGAWA UT-150L HIGH LIMITS
14	1	OVEN ON / OFF SWITCH (LIGHTED)
15	1	HEAT ON / OFF SWITCH (LIGHTED)
16	4	1.750" DIA SEMI PIERCED DUCT WALLS
17	1	DOOR SWITCH
18	2	HEATER BOX
19	4	LIFTING LUGS
20	1	SHELF
21	1	TIMER



SPECIFICATIONS:

MATERIALS OF CONSTRUCTION

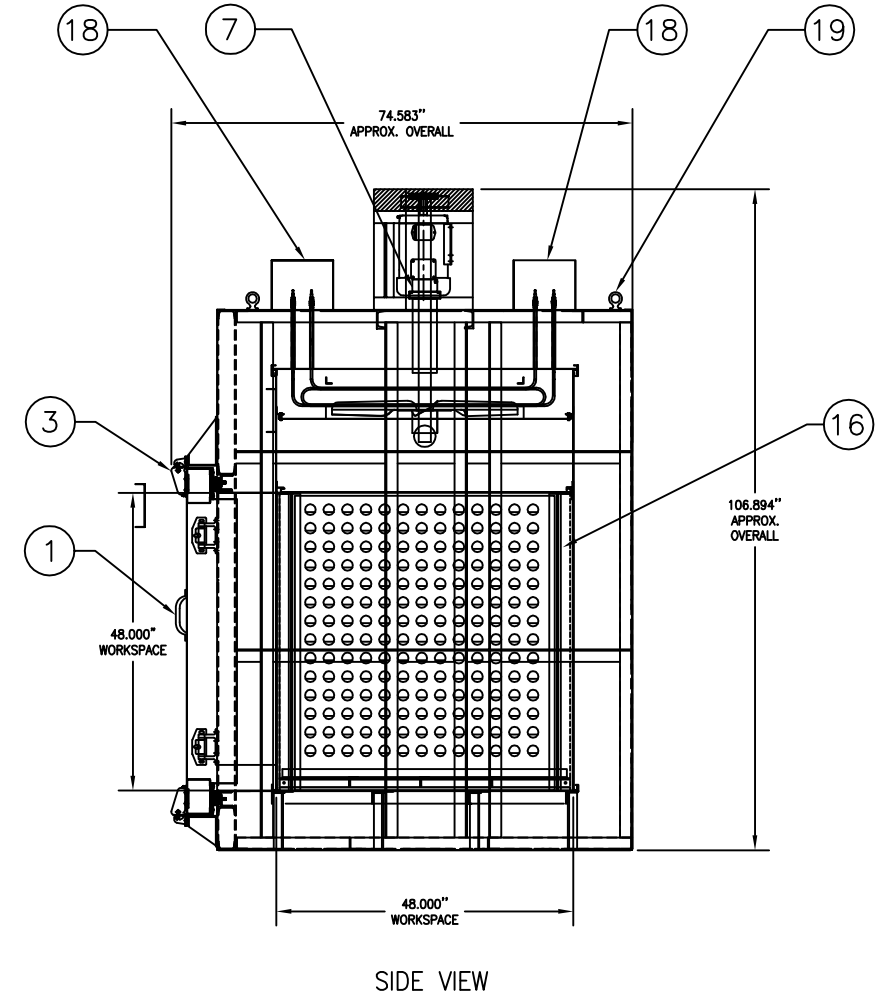
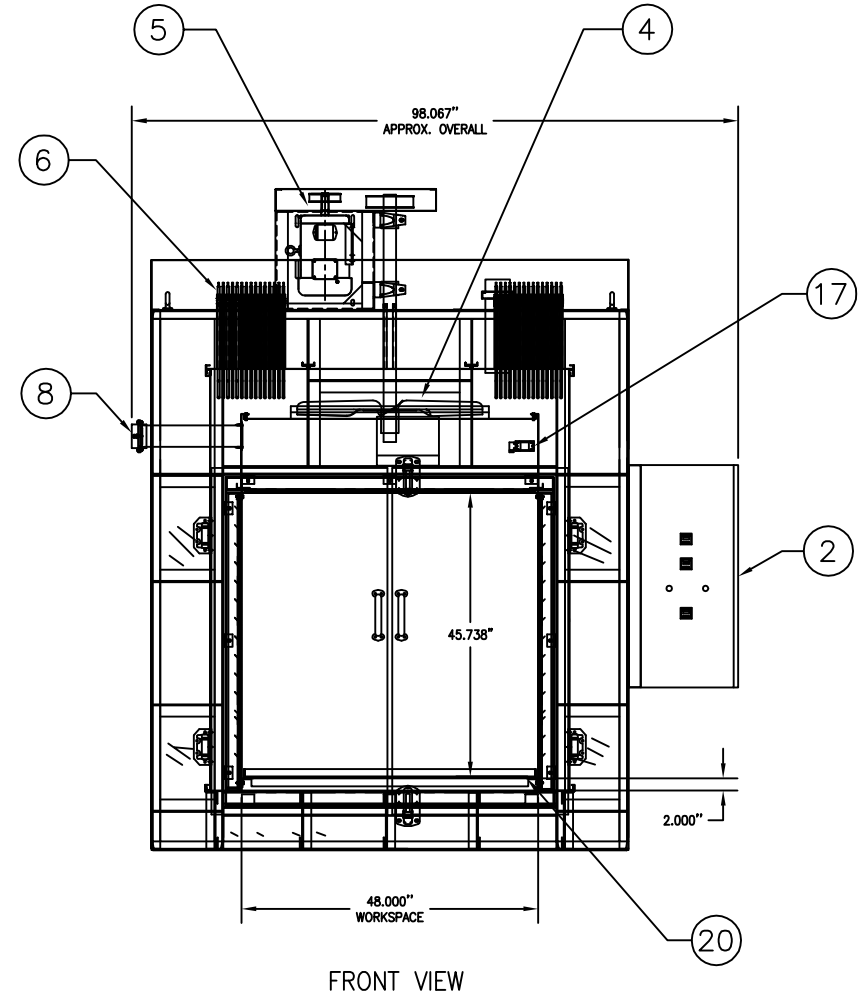
INTERIOR: #304 2B STAINLESS STEEL
 EXTERIOR: COLD ROLLED STEEL, PRIMED & PAINTED SLATE GRAY
 INSULATION: 9.5 " THICK OF FIREPROOF, NON-ASBESTOS, NON-SETTLING INSULATION

OPERATING PARAMETERS

CAPACITY: 64 CUBIC FEET
 SHIPPING WEIGHT: APPROXIMATELY 6000 LBS
 TEMPERATURE RANGE: 1200°F MAXIMUM
 OPERATING TEMPERATURE: AMBIENT TO 1200°F
 RECIRCULATION AIRFLOW: APPROX. 7500 C.F.M. @ AMBIENT TEMP.
 ELECTRICAL: 480 V 3 PH 60HZ 75.0 KW

CLASSIFICATION

NFPA 86 CLASS B OVENS ARE HEAT UTILIZATION EQUIPMENT OPERATING AT APPROXIMATELY ATMOSPHERIC PRESSURE WHEREIN THERE ARE NO FLAMMABLE VOLATILES OR COMBUSTIBLE MATERIAL BEING HEATED.



TOLERANCE: +/- .25"	REV	DESCRIPTION	BY	DATE
Notice: This drawing and design is the property of JPW Design & Manufacturing Inc. This drawing shall not be used in any way or copied without our express written consent.				
		CUSTOMER: GENERAL ELECTRIC		
		P.O. NO. 801063960 QUOTE NO. 8447B		
		SCALE: 1/16"=1" SHEET 1 OF 1		
		DRAWING NO. 001		
DATE	8/26/11	TITLE	GENERAL ASSEMBLY	
APP		MODEL	HT444TUL480V75KW	
		001141		