



Signum® Complete Scales

High-resolution Models - SIWA | SIWS Series



- Signum Advanced Models (SIWA):
Mechatronic Weighing System
- Signum Supreme Models (SIWS):
Monolithic Weighing System
- Resolutions of 60,000 d to 350,000 d
- Class II "verified at the factory": (Single and dual range)
including built-in motorized calibration weight
- Choice of various application levels
- The slim-line design of the adjustable display
enables flexible, ergonomic placement
- Optional IP65 protection and optional approval for use
in Zone 2 and Zone 22 explosive atmospheres

General Specifications

Power supply (built-in)

100-240 V AC (-15%/+10%), 50-60 HZ,
up to 17w/23VA

Material Housing Base Frame

Aluminum die-casting painted with highly
resistant industrial paint

Dimensions Load plate

All models have a square load pan:
180x180mm
The 0.6kg/1mg version has a round pan:
Ø 115 mm

Humidity

85% relative (non-condensing) up to 31°C;
50% relative 40°C

Use at a height above sea level

Up to 2,000 m; indoors

Measuring technology

SIWS: Monolithic weighing system with
integrated A/D converter
SIWA: Strain gauge technology

Resolution (verifiable)

Depends on model: 1 x 40,000 e

Max. resolution (non-verifiable)

Depends on model: 1 x 4,000,000 d

IP protection rating

IP43

Interference

Acc. to EN 61326-1 Class B
(IEC 61326-1)

Electrical safety

Acc. to EN 61010-1 (IEC 61010-1)

Interference resistance

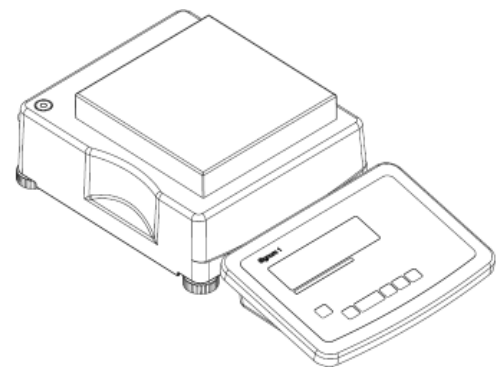
Acc. to EN 61326-1,
industrial areas (IEC 61326-1)

Net weight

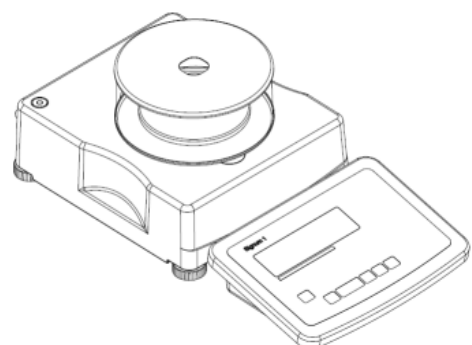
6.8 kg

Ambient temperature

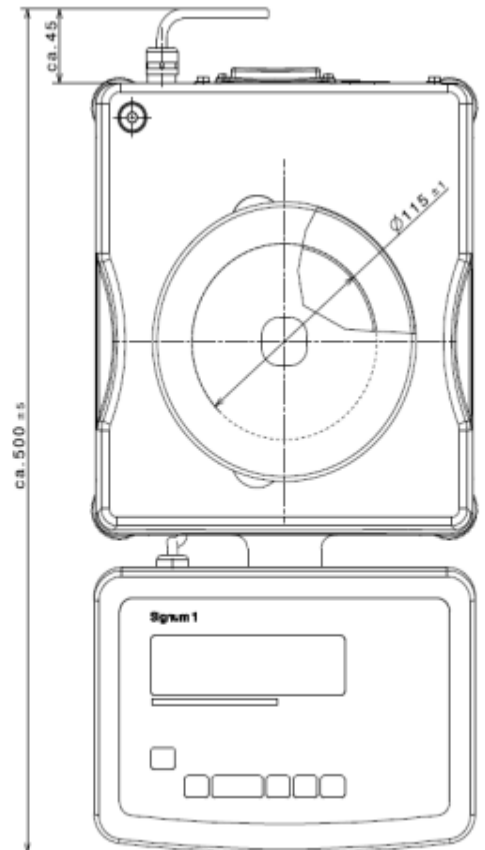
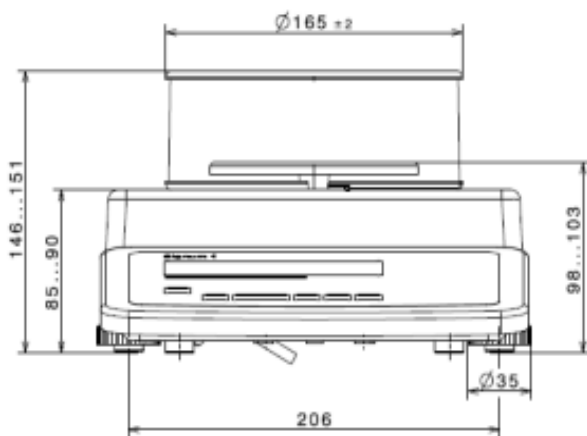
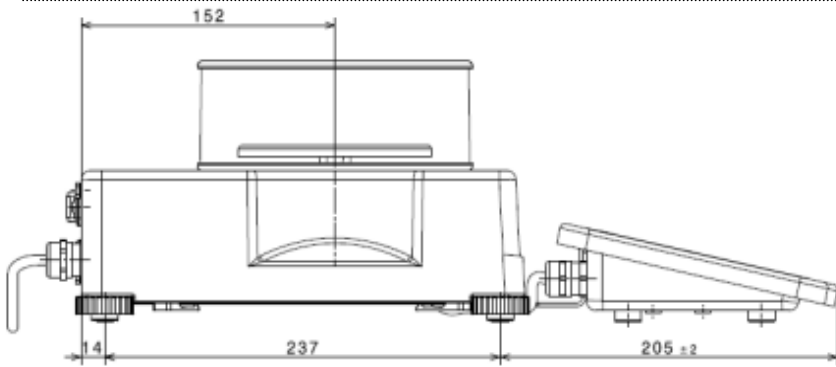
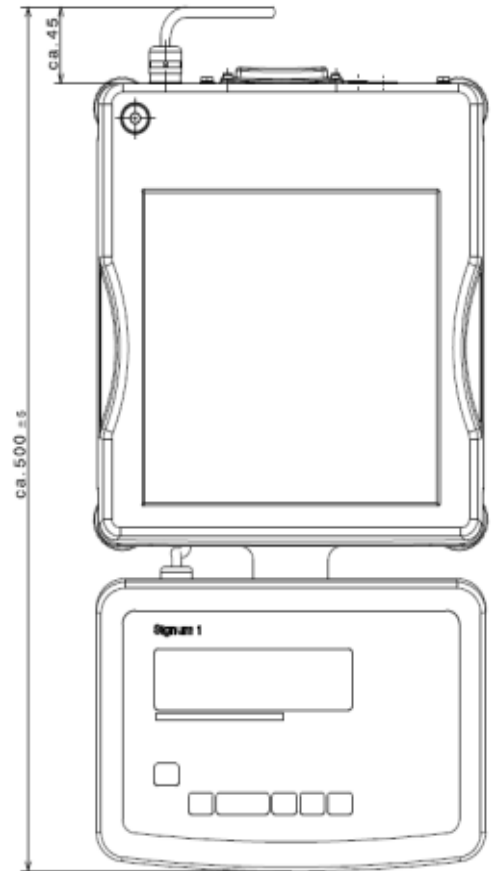
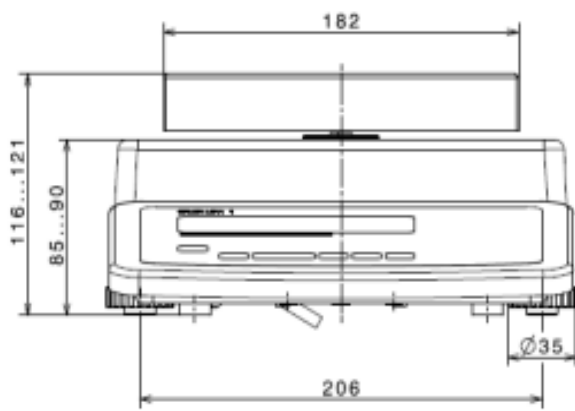
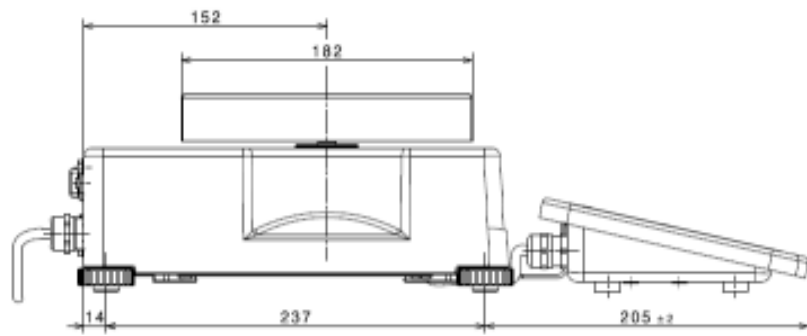
10°C to +40°C



Model with square load plate



Model with circular load plate: Signum Supreme 0.6 kg/ 1mg





Application levels

	Level 1	Level 2	Level 3
Keyboard	6 keys	14 keys	17 keys
Display	14 segments	14 segments plus application icons	14 segments plus application icons
Weighing	•	•	•
Averaging		•	•
Reference scale connection		•	•
Counting		•	•
Totalizing		•	•
Check		•	•
Product data memory			•
Date/time		•	•
SQ min (minimum sample quality)	•	•	•
ID codes (4x40 characters)			•

SIWA – Signum Advanced – high resolution, non-verifiable models

Order number

Example: SIWABBP-2-8-I

Series	Sensor technology	Dimensions	Base frame material	Application level	Max. cap.	Display resolution
SIW	A	BB	P	- 1	- 1	- H
				2	8	I
				3		

Resolutions for Signum Advanced

-H	>100,000d
-I	>30,000d

Weighing Data Signum Advanced

Non-verifiable models

Capacity code	-1	-8
Display resolution code	-H	-I
Weighing capacity (kg)	1.5	8
Readability (g)	0.01	0.1
Calibration weight value (g)	1000	5000
Accuracy class	F1	F2
Preload (kg)	0	0
Repeatability (g)	0.03	0.2
Linearity (g)	0.03	0.3

Options

Equipment		Level 1	Level 2	Level 3			
		IP43	IP 65	IP43		IP 65	IP43
Protection class IP65	IP65	•	•	•	•	•	
24 volt AC adapter	L8	•	•	•	•	•	Details: see data sheet options L8 / L9
Built-in rechargeable battery pack	L9	•	•	•	•	•	
Analog second interface	A15			•	•	•	Details: see data sheet option A15
Separable connection for second scale	X1	•	•	•	•	•	
ATEX zones 2 and 22 protection class	Y2		•	•		•	Details: see data sheet option Y2
Interfaces							
COM 1: RS232 "Clock"	A31			•	•	•	
	A32			•		•	
COM 1: RS232 "connectivity" such as "clock" plus PS/2 connection for barcode reader or keypad and prepared slot for future installation of a Unicom interface (see Accessories)							
UniCom: RS232	A1	•	•	•	•	•	Details: see data sheet for options A1 / A2 / A3
UniCom: RS422	A2	•	•	•	•	•	
UniCom: RS485	A3	•	•	•	•	•	
UniCom: Ethernet	B9	•		•		•	Details: see data sheet option B9
UniCom: 5 dig. In/5 dig. Out*	A5	•	•	•	•	•	Details: see data sheet option A5
UniCom: Analog output*	A9	•	•	•	•	•	Details: see data sheet option A9
UniCom: Profibus	B1	•	•	•	•	•	
Others							
Internal Alibi-Memory	E5	•	•	•	•	•	
Internal calibration weight (only for models Signum Supreme non CE, for all models -*CE: built-in as standard)	E7	•	•	•	•	•	
Below weighing hanger (only for Supreme models)	U1	•	•	•	•	•	
Manufacturer's final inspection test report							
Final inspection test report (scale)	Z3	•	•	•	•	•	

Accessories

Printer

Data printer with date, time and statistics program	YDP20-OCE
Strip/Label printer, 60mm paper width	YDP04IS-OCEUV
Strip/Label printer, 108 mm paper width	YDP12IS-OCEUV
Thermal transfer printer, 108 mm paper width	YDP12IS-OCEUVTH

Mechanical accessories

Wall mounting bracket for the display, stainless steel	YDH01CIS
Wall mounting bracket for the display, stainless steel, tiltable	YDH02CIS
Dust covers for display unit (2 pieces)	YDC01SW

Cables

PC connection cable, 1.5 m	7357314
Printer connection cable, 3 m	YCC01-01CISLM3
Connection cable for analog output, with open cable ends	6906926

Interfaces

UniCom - RS232 interface module *	YD003M-232
UniCom - RS485/422 interface module *	YD003M-485422
UniCom - Analog Out interface module *	YD003SW-AO
UniCom - Ethernet interface module *	YD003SW-ETH
UniCom - Dig. interface module I/O *	YD003SW-DIO
UniCom - Profibus DP interface module *	YD003SW-DP
External USB Interface Cable	YCC01-USBM2

*for future installation by Service or dealer

Electrical accessories

Remote display	YRD02Z
External red-green-red display	YRD11Z
Barcode reader, 120 mm scanning width with PS/2 connector	YBR03PS2

Software

Sartorius Nice Label Express (SNLE)	YAD02IS
WinScale for Windows 95/98/2000/NT	YSW03
SartoConnect	YSC01L

Sartorius AG
Weender Landstrasse 94-108
37075 Goettingen,
Germany
Phone +49 551.308.0
Fax +49 551.308.3289
info.mechatronics@sartorius.com
www.sartorius-mechatronics.com

Sartorius AG reserves the right to make changes to the technology, features, specifications and design of the equipment without notice.

Status: May 2009